

Area of Application:  
Wall/Panel mounted  
Vacuum and Highflow

Max. working pressure 16 bar

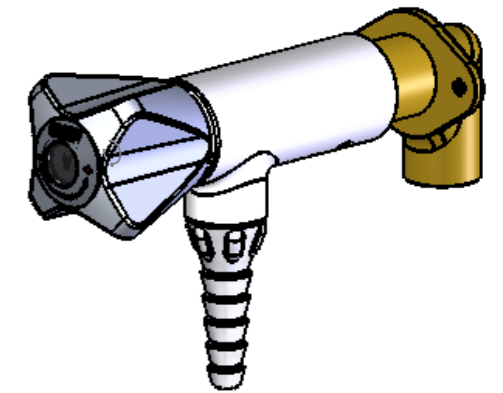
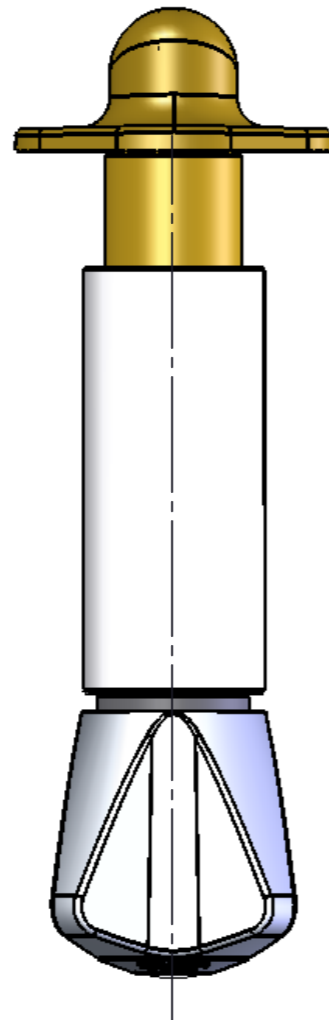
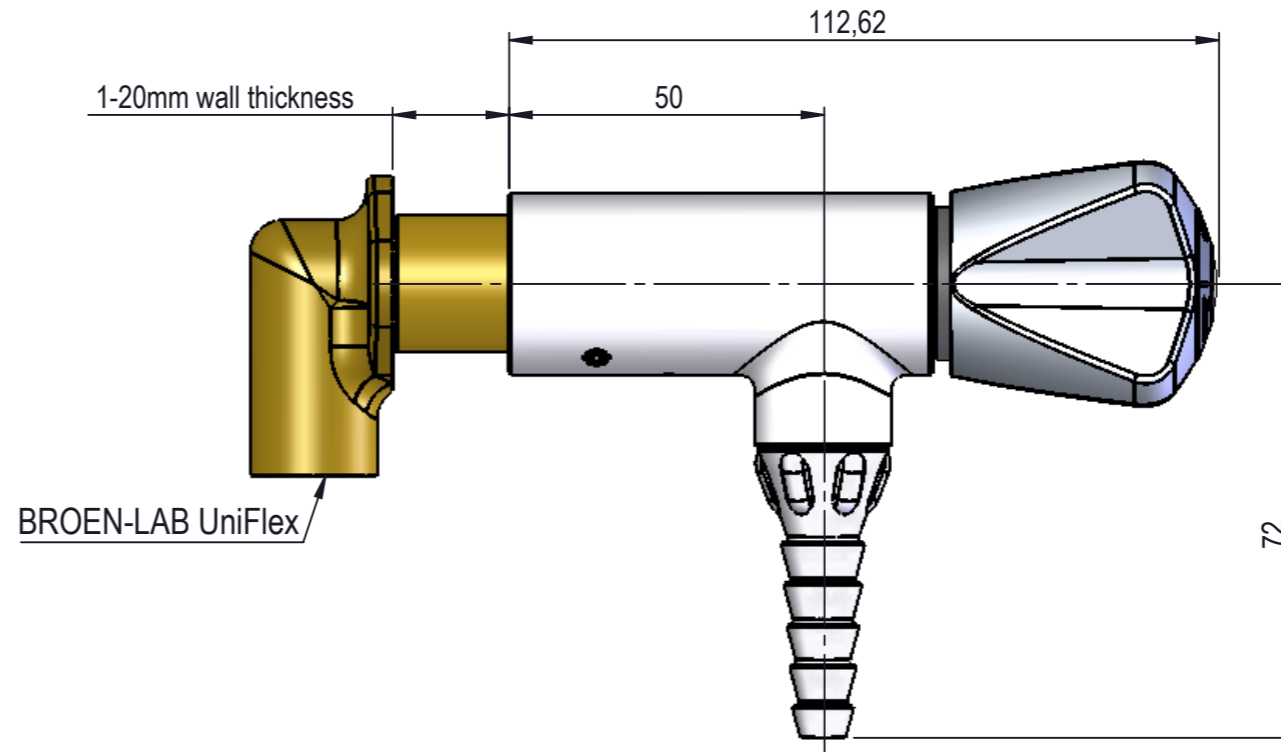
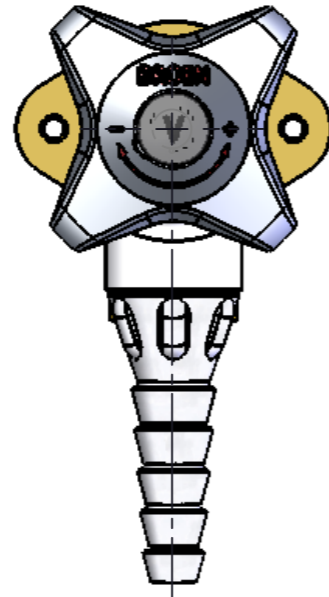
Details:  
High flow/Vacuum headwork open/close 1,5x360°  
3-Zone colour, acc. to EN13792:2002

Fixed nozzle

Materials in media contact:  
Brass, CW614N  
Rubber, FKM  
PP  
Perfluoropolyether based lubricant

Mounting:  
RWC

Inlet / outlet connection:  
UniFlex  
DIN 12 898, form A, size 1, 1/2" hose nozzle



MEDIA CODE XX FOR VACUUM		
Media	Media description	Media code XX
V	Vacuum Low	28
VF	Vacuum Fine	29

Description: 1-Valve, Wall/Panel mounted, 1-Hole, Fix. Nozzle, UniFlex

						Media: Vacuum and Highflow					
						Comments:					
						Drawing type: Customer drawing					
						Weight: 0.546 Kg					
Rev.	Pos.	Date	TM No.	Design by	Drawn by:	Change:	Designed by: BJP	Drawn by: MWA	Released on TM No.	Date: 06-03-2015	
<b>BROEN-LAB</b>						This drawing is our property and cannot be given to a third party, copied or otherwise used without our permission. BROEN-LAB A/S.		Format: A3		Drawing No.: 253041810XX-40	