

Area of Application:  
Wall/Panel mounted  
Vacuum and Highflow

Max. working pressure 16 bar

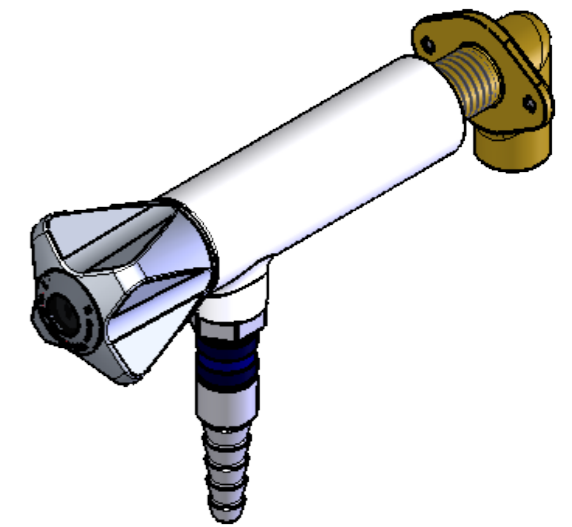
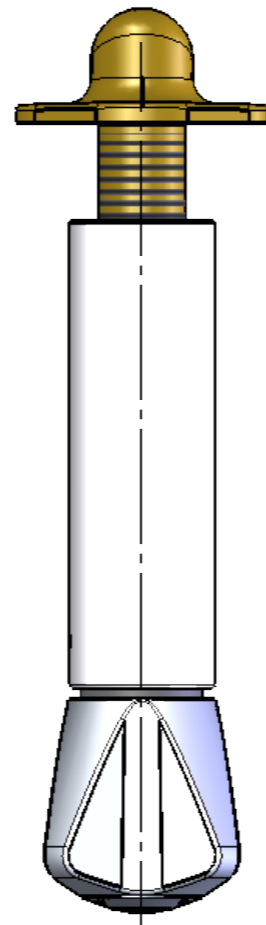
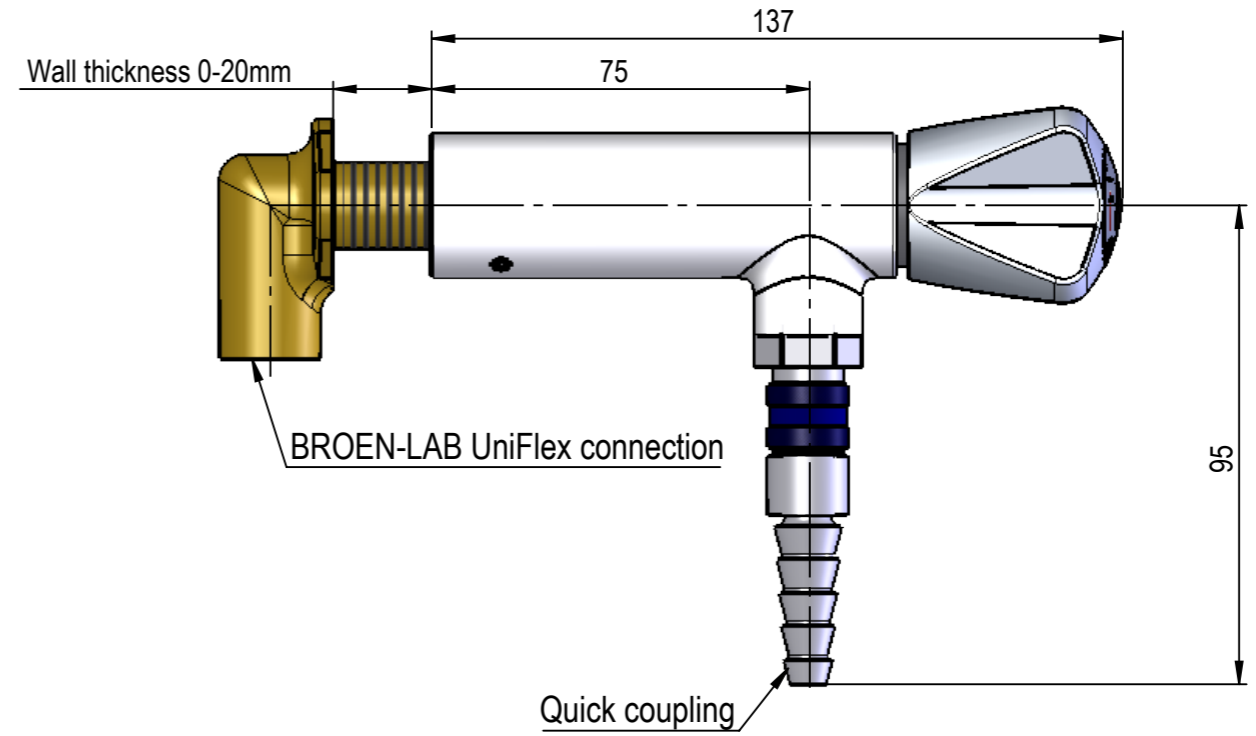
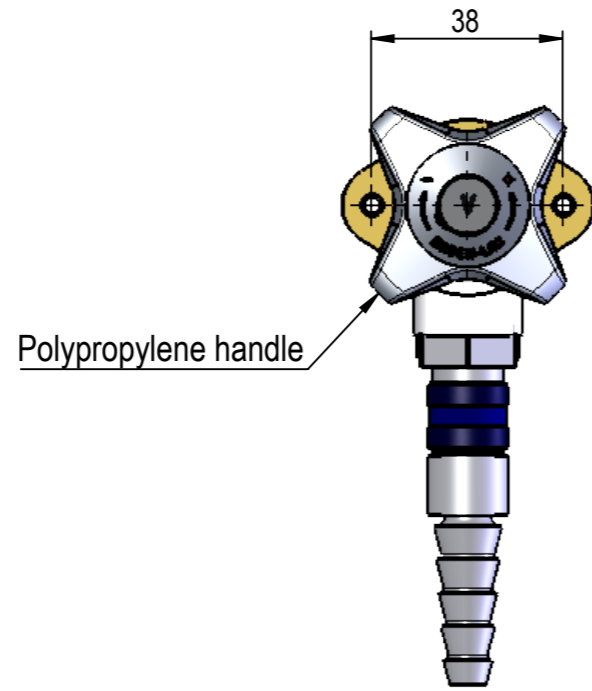
Details:  
High flow/Vacuum headwork open/close 1,5x360°  
3-Zone colour, acc. to EN13792:2002  
BROEN-LAB Polyester powder coated colour 2700

Quick release coupling

Materials in media contact:  
Brass  
Perfluoropolyether based lubricant  
Rubber, FKM  
Nickel plated, Brass  
Chrome plated, Brass

Mounting:  
RWC Ø18 (See 94G0232)

Inlet / outlet connection:  
UniFlex  
DIN 12 898 hose nozzle



MEDIA CODE XX FOR  
VACUUM  
\*Model shown for V

Media	Media description	Media code XX
V	Vacuum Low	28
VF	Vacuum Fine	29
VH	Vacuum High	30

Description: 1-Valve, Wall/Panel mounted, 1-Hole, RWC, ., UniFlex

						Media: Vacuum and Highflow	
						Comments:	
						Drawing type: Customer drawing	
						Weight: 0,711 Kg	
Rev.	Pos.	Date	TM No.	Design by	Drawn by:	Change:	Designed by: FRW
							Drawn by: FRW
						Released on TM No.	
						Date (DD-MM-YY): 06-10-25	
<b>BROEN-LAB</b>						Format: A3	
						Drawing No.: 253044510XX-40	

This drawing is our property and cannot be given to a third party, copied or otherwise used without our permission. BROEN-LAB A/S.